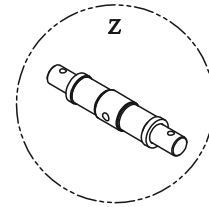
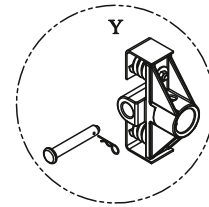
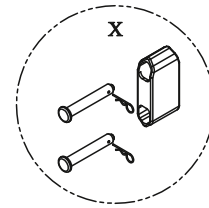
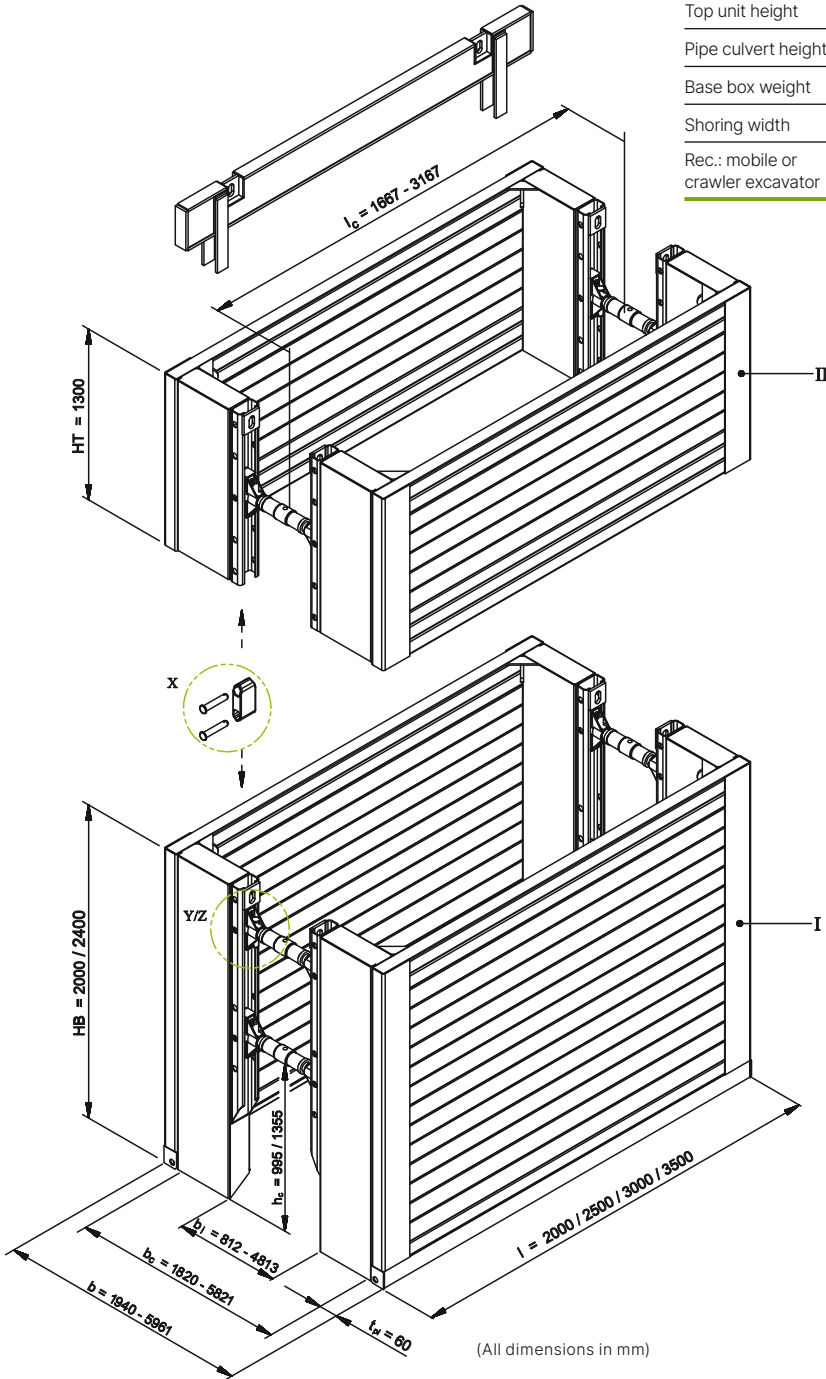


## KRINGS KS 60 Manhole

### General data

Shoring length	2.00 m–3.50 m
Base unit height	2.00 m / 2.40 m
Top unit height	1.30 m
Pipe culvert height	1.00 m / 1.36 m
Base box weight	1,380 kg–2,050 kg
Shoring width	variable
Rec.: mobile or crawler excavator	Base box only: 12–18 t With top unit: 18–30 t



- |    |                  |                |                      |                 |                     |   |                          |
|----|------------------|----------------|----------------------|-----------------|---------------------|---|--------------------------|
| I  | Base unit        | l              | Length               | b <sub>i</sub>  | Clear passage width | X | Connector with bolts     |
| II | Top unit         | l <sub>c</sub> | Pipe culvert length  | h <sub>c</sub>  | Pipe culvert height | Y | Spring socket with bolts |
| HB | Base unit height | b              | Shoring/trench width | t <sub>pl</sub> | Panel thickness     | Z | Spindle 98 x ...         |
| HT | Top unit height  | b <sub>c</sub> | Clear width          |                 |                     |   |                          |

**Base units**

Art. no.	l [m]	h [m]	t <sub>pl</sub> [m]	h <sub>c</sub> [m]	l <sub>c</sub> [m]	G / VP [kg]	G / Box [kg]	A [m <sup>2</sup> ]	e <sub>n</sub> [kN/m <sup>2</sup> ]
135 208	2.00	2.00	0.06	1.00	1.61	550.0	1,380.0 *	4.00	59.5
135 209	2.50	2.00	0.06	1.00	2.11	605.0	1,490.0 *	5.00	39.7
135 211	3.00	2.00	0.06	1.00	2.61	660.0	1,600.0 *	6.00	26.3
135 212	3.50	2.00	0.06	1.00	3.05	770.0	1,820.0 *	7.00	26.6
135 206	2.00	2.40	0.06	1.36	1.61	631.0	1,542.0 *	4.80	39.1
135 205	2.50	2.40	0.06	1.36	2.11	693.0	1,666.0 *	6.00	31.3
135 200	3.00	2.40	0.06	1.36	2.61	755.0	1,790.0 *	7.20	26.1
135 199	3.50	2.40	0.06	1.36	3.05	885.0	2,050.0 *	8.40	22.3

Other sizes or custom-made products on request.

\* With spindle 98 × 700

**Top units**

Art. no.	l [m]	h [m]	t <sub>pl</sub> [m]	h <sub>c</sub> [m]	l <sub>c</sub> [m]	G / VP [kg]	G / Box [kg]	A [m <sup>2</sup> ]	e <sub>n</sub> [kN/m <sup>2</sup> ]
135 285	2.00	1.30	0.06	-	1.61	430.0	1,043.0 *	2.60	66.7
135 286	2.50	1.30	0.06	-	2.11	470.0	1,122.0 *	3.25	39.7
135 290	3.00	1.30	0.06	-	2.61	505.0	1,192.0 *	3.90	26.3
135 291	3.50	1.30	0.06	-	3.05	580.0	1,342.0 *	4.55	26.6

Other sizes or custom-made products on request.

\* With spindle 98 × 700

**Shoring widths for spindle 98 × 550**

Art. no. extension bar	l [m]	b <sub>i</sub> [m]	b <sub>c</sub> [m]	b [m]
138 280 (spindle 98 × 550)	w/o	0.81–1.01	1.82–2.02	1.94–2.14
139 430	0.30	1.11–1.31	2.12–2.32	2.24–2.44
139 445	0.50	1.31–1.51	2.32–2.52	2.44–2.64
139 385	1.00	1.81–2.01	2.82–3.02	2.94–3.14
139 400	1.50	2.31–2.51	3.32–3.52	3.44–3.64
139 420	2.00	2.81–3.01	3.82–4.02	3.94–4.14
139 425	2.50	3.31–3.51	4.32–4.52	4.44–4.64

**Shoring widths for spindle 98 × 700**

Art. no. extension bar	l [m]	b <sub>i</sub> [m]	b <sub>c</sub> [m]	b [m]
138 290 (spindle 98 × 700)	w/o	0.99–1.33	2.00–2.34	2.12–2.46
139 430	0.30	1.29–1.63	2.30–2.64	2.42–2.76
139 445	0.50	1.49–1.83	2.50–2.84	2.62–2.96
139 385	1.00	1.99–2.33	3.00–3.34	3.12–3.46
139 400	1.50	2.49–2.83	3.50–3.84	3.62–3.96
139 420	2.00	2.99–3.33	4.00–4.34	4.12–4.46
139 425	2.50	3.49–3.83	4.50–4.84	4.62–4.96

l	Length
l <sub>c</sub>	Pipe culvert length
b	Trench width
b <sub>c</sub>	Clear width
b <sub>i</sub>	Clear passage width
h	Panel height
h <sub>c</sub>	Pipe culvert height
t <sub>pl</sub>	Panel thickness
A	Surface
G	Weight
G / VP	Weight / shoring panel
G / Box	Weight / shoring box
e <sub>n</sub>	Admissible soil pressure